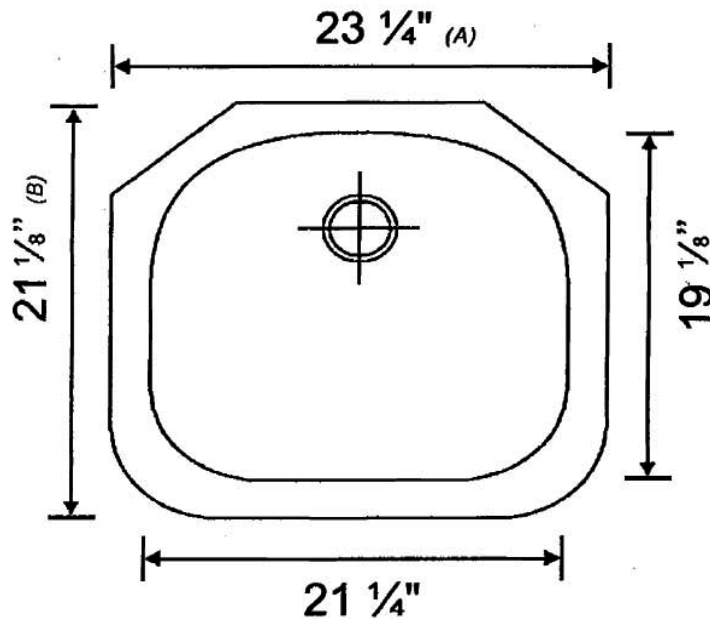


# Arden

## Stainless Steel Sinks *by allen co.*

- Meets ANSI A112.19
- #304 Stainless Steel - 18 guage/10 chrome - nickel
- Truly non magnetic and non corrosive
- Underside coated with heavy undercoating

### Under-Mount Single Bowl - Metropolitan



Model	Overall LxW	Bowl Depth	Material Gauge	Finish	Mail Bowl LxWxD
AU235219	23 1/4" x 21 1/8"	9"	18	Satin	21 1/4" x 19 1/8" x 9"